

ATHENA 870-BL

SAFER, SMARTER, STRONGER



ALMACRAWLER 
ALMAC-PACIFIC.COM.AU



ATHENA

ATHENA 870-BL

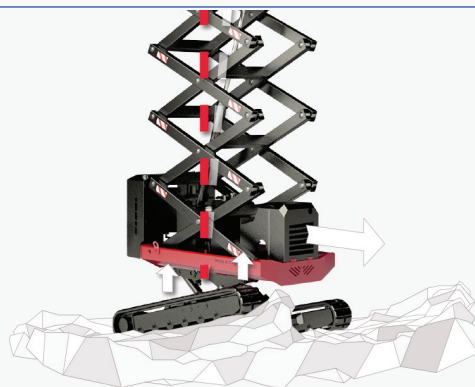


FEATURES



COMPACT & EASILY TOWABLE

A collapsible platform means the Athena 870 packs down to a compact size making overhead transitioning safe and easy. With a maximum weight of 2460 kg, it is easily towed by most work vehicles.



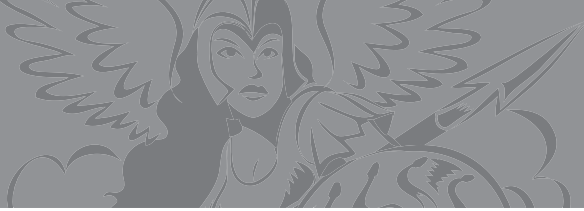
PROACTIVE AND DYNAMIC LEVELLING (ONLY FOR VERSION 870-BL EVO)

This is the next evolution of the unique bi-levelling ability of the ATHENA 870-BL EVO range of scissor lifts. The first of its kind in the world to feature proactive and dynamic levelling, this means that the ATHENA 870-BL EVO now has the ability to instinctively and automatically level in either the stowed or raised position during translation.



EXTENDABLE AND COLLAPSIBLE PLATFORM

The extendable and collapsible platform is quick and easy to adjust for extreme access situations. Raise or lower the platform handrails quickly, to keep you on the move.



Technical data

	870-BL	870-BL EVO	870-BL BI-ENERGY
Platform capacity	250 kg (2 op.)	250 kg (2 op.)	250 kg (2 op.)
Platform size	1.50 x 1.20 m	1.50 x 1.20 m	1.50 x 1.20 m
Max working height	7.9 m	7.9 m	7.9 m
Max height platform floor	5.9 m	5.9 m	5.9 m
Moving height	6.0 m	6.0 m (5.0 m) *	6.0 m
Powered	Gasoline Honda iGX390	KUBOTA Diesel Z482	Honda iGX 390
Powered	-	-	Lithium Power Pack 100Ah-48V
Powered (option)	Diesel Hatz 1B40	-	Diesel Hatz 1B40
Accelerator	Automatic	Automatic	Automatic
Undercarriage	Bi-Levelling	Bi-Levelling	Bi-Levelling
Platform levelling	Automatic	Automatic	Automatic
Longitudinal levelling Front	+/- 16°	+/- 16°	+/- 16°
Longitudinal levelling Rear	+/- 20°	+/- 20°	+/- 20°
Lateral levelling	+/- 15°	+/- 15°	+/- 15°
Power generator (option)	220V-1kW	220V-1kW	-
Electric pump (option)	220V-2,2kW	220V-2,2kW	-
Hydraulic commands	Proportionals	Proportionals	Proportionals
Direction-Control System	Yes	Yes	Yes
Easy-Drive System	Yes	Yes	Yes
Kit for high speed	max 2.20 km/h	max 2.40 km/h	max 2.20 km/h
Ground emergency	Yes	Yes	Yes
Control of inclination	Automatic	Automatic	Automatic
Pro-active Levelling	-	Yes	-
Gradeability	25°	25°	25°
Side slope	21°	21°	21°
Length	1.94 m	2.11 m	2,03 m
Width	1.30 ÷ 1.50 m	1.30 ÷ 1.50 m	1.30 ÷ 1.50 m
Minimum machine height with folded railings and narrow tracks	2.28 (1,98) m	2.28 (1,98) m	2.28 (1,98) m
Minimum machine height with folded railings and wide tracks	1.98 (1,68) m	1.98 (1,68) m	1.98 (1,68) m
Total weight	2460 kg	2460 kg	2460 kg
Compliance	EN 280, ANSI, CSA, ASNZS1418	EN 280, ANSI, CSA, ASNZS1418	EN 280, ANSI, CSA, ASNZS1418

* Maximum working height with levelling permitted

The 870 BL range of scissor lifts comprises of ATHENA 870-BL, 870-BL EVO, 870-BL BI-ENERGY versions, capable of reaching up to 8 meters.

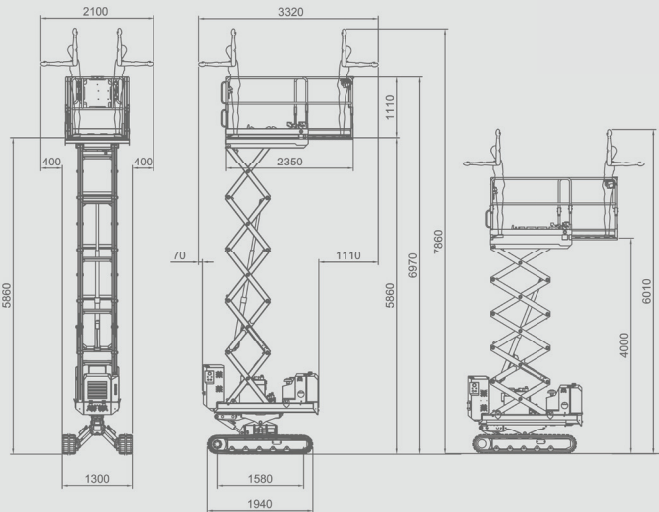
The crawler traction overcomes all the standard limits of traditional 4x4 traction providing the opportunity to work in limited spaces.

The automatic levelling of the Athena scissors improves productivity and enables the operator to work safely even on large inclines or uneven and rough terrain. The engine options available are, the 'cost-effective' electronically controlled Honda petrol engine, the compact single-cylinder diesel Hatz engine or the 'High performing' Kubota Z482 diesel engine that combines significant power with a low level of noise and fumes.



ATHENA

ATHENA 870-BL - ATHENA 870-BL BI-ENERGY

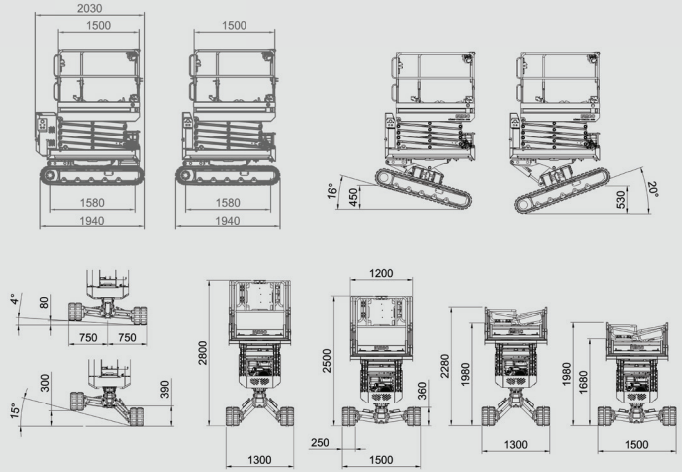


MAXIMUM WORKING HEIGHT
TRAVELLING NOT PERMITTED

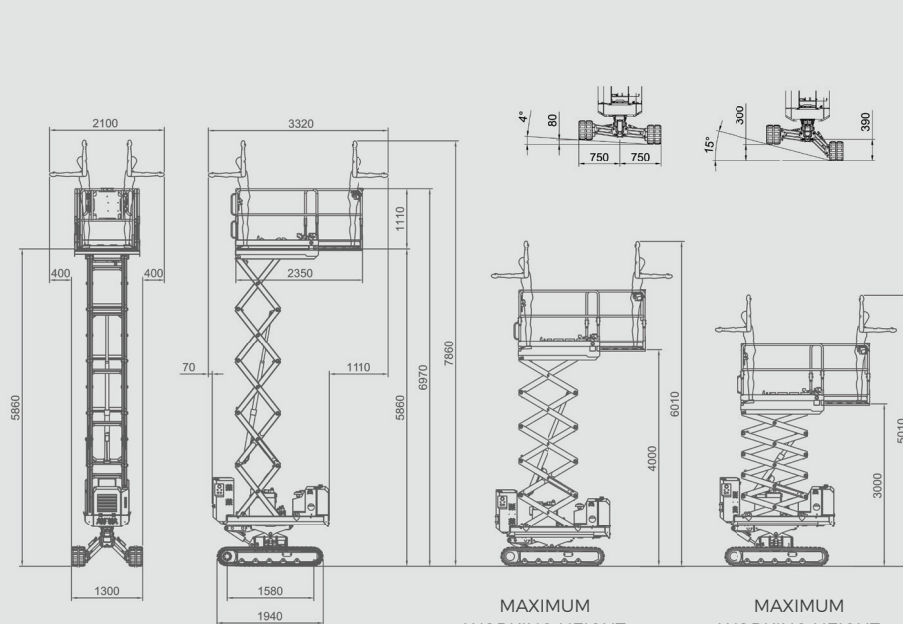
MAXIMUM WORKING HEIGHT
WITH TRAVELLING PERMITTED

BI-ENERGY
VERSION

STANDARD
VERSION



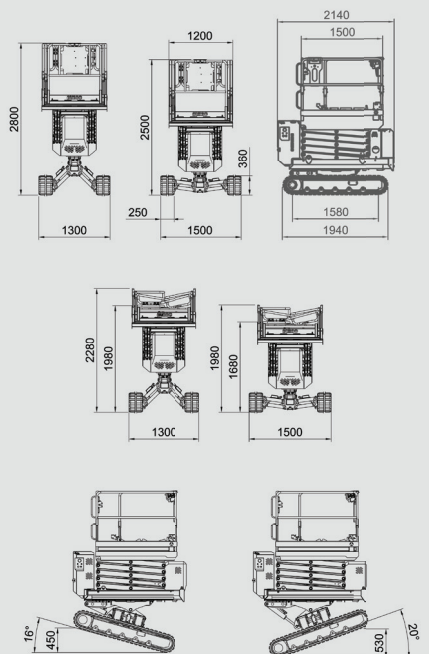
ATHENA 870-BL EVO



MAXIMUM WORKING HEIGHT
TRAVELLING NOT PERMITTED

MAXIMUM
WORKING HEIGHT
WITH TRAVELLING
PERMITTED

MAXIMUM
WORKING HEIGHT
WITH LEVELLING
PERMITTED



1300 627 474



ALL DATA REPORTED IN THIS CATALOGUE ARE NOT BINDING. ALMAC SRL RESERVES THE RIGHT TO CHANGE SPECIFICATIONS WITHOUT PRIOR NOTICE.