



NPP16N2 - NPP18N2 - NPP20N2

NPP20N2R - NPP20N2E

Specifications

Pedestrian Power Pallet

1.6 - 2.0 tonnes



Characteristics							
1.01	Manufacturer (abbreviation)		Cat Lift Trucks	Cat Lift Trucks	Cat Lift Trucks	Cat Lift Trucks	Cat Lift Trucks
1.02	Manufacturer's model designation		NPP16N2	NPP18N2	NPP20N2	NPP20N2R	NPP20N2E
1.03	Power source (battery, diesel, LP gas, petrol)		Battery	Battery	Battery	Battery	Battery
1.04	Operator type: pedestrian, (operator)-standing, -seated		Pedestrian	Pedestrian	Pedestrian	Pedestrian/Stand-on	Pedestrian
1.05	Load capacity	Q (kg)	1600	1800	2000	2000	2000/700
1.06	Load centre distance	c (mm)	600	600	600	600	600
1.08	Load wheel axle to fork face (forks lowered)	x (mm)	960	960	960	960	875
1.09	Wheelbase	y (mm)	1360	1424	1424	1421	1509
Weight							
2.01	Truck weight with maximum battery weight	kg	431	502	634	595	579
2.02	Axle loadings with nominal load & maximum battery weight, drive/load side	kg	635/1396	806/1496	864/1770	890/1705	770/1809
2.03	Axle loadings without load & with maximum battery weight, drive/load side	kg	332/99	381/121	475/159	470/125	419/160
Wheels, Drive Train							
3.01	Tyres: PT=Power Thane, Vul=Vulkollan, drive/load side		Vul/Vul	Vul/Vul	Vul/Vul	Vul/Vul	Vul/Vul
3.02	Tyre dimensions, drive side	(mm)	230x70	230x70	230x70	230x70	230x70
3.03	Tyre dimensions, load side	(mm)	85x90	85x75	85x75	85x75	85x75
3.04	Castor wheel dimensions (diameter x width)	(mm)	100x40	100x40	100x40	125x55	100x40
3.05	Number of the wheels drive/load side (x=driven)		2+1x/2	2+1x/4	2+1x/4	2+1x/4	2+1x/4
3.06	Track width (centre of tyres), drive side	b10 (mm)	480	480	480	480	480
3.07	Track width (centre of tyres), load side	b11 (mm)	355/375/495	355/375/495	355/375/495	375	375
Dimensions							
4.04	Lift height	h3 (mm)	135	135	135	135	510
4.06	Initial lift height	h5 (mm)	-	-	-	-	135
4.08	Seat- or stand height	h7 (mm)	-	-	-	172	-
4.09	Height of tiller arm / steering console (min./max.)	h14 (mm)	1050/1372	1050/1372	1050/1372	1180/1350	1050/1372
4.15	Fork height, fully lowered	h13 (mm)	85	85	85	85	90
4.19	Overall length, platform up/down	l1 (mm)	1648	1712	1712	1852/2346	1780
4.20	Length to fork face, platform up/down	l2 (mm)	498	562	562	702/1195	653
4.21	Overall width	b1/b2 (mm)	720	720	720	720	720
4.22	Fork dimensions (thickness,width,length)	s/e/l (mm)	55/165/1150	55/165/1150	55/165/1150	50/165/1150	50/195/1150
4.25	Outside width over forks	b5 (mm)	520/540/660	520/540/660	520/540/660	540	570
4.32	Ground clearance, center of wheelbase (forks lowered)	m2 (mm)	30	30	30	30	30
4.33	Working aisle width (Ast) with 1000 x1200 mm pallet, load crosswise, platform up/down	Ast (mm)	1694	1758	1758	1920/2400	1874
4.34	Working aisle width (Ast) with 800 x1200 mm pallet,load lengthwise, platform up/down	Ast (mm)	1894	1958	1958	2120/2600	2074
4.35	Turning circle radius	Wa (mm)	1454	1518	1518	1680/2160	1526
Performance							
5.01	Travel speed, with/without load	km/h	6,0/6,0	6,0/6,0	6,0/6,0	6,0/6,0	6,0/6,0
5.02	Lifting speed, with/without load	m/s	0,035/0,045	0,035/0,045	0,04/0,06	0,03/0,05	0,11/0,14
5.03	Lowering speed, with/without load	m/s	0,05/0,05	0,05/0,05	0,05/0,05	0,07/0,08	0,13/0,12
5.07	Gradeability, with/without load	%	10,0/20,0	10,0/20,0	10,0/20,0	9,0/20,0	9,0/20,0
5.10	Service brakes (mechanical/hydraulic/electric/pneumatic)		Electric	Electric	Electric	Electric	Electric
Electric motors							
6.01	Drive motor capacity (60 min. short duty)	kW	1,0	1,0	1,0	1,0	1,0
6.02	Lift motor output at 15% duty factor	kW	0,8	0,8	1,2	1,2	1,2
6.04	Battery voltage/capacity at 5-hour discharge	V/Ah	24/150	24/250	24/250-375**	24/250-375**	24/150
6.05	Battery weight	kg	151	212	212-294	212-294	151
Miscellaneous							
8.01	Type of drive control		Stepless	Stepless	Stepless	Stepless	Stepless
8.04*	Noise level (EN 12 053)	dB (A)	62/69/0	62/69/0	65/67/0	63/78/0	59/60/0
	Whole-body vibration (EN 13 059)	m/s2	-	-	-	0,9	-
	Hand-arm vibration (EN 13 059)	m/s2	< 2,5	< 2,5	< 2,5	< 2,5	< 2,5

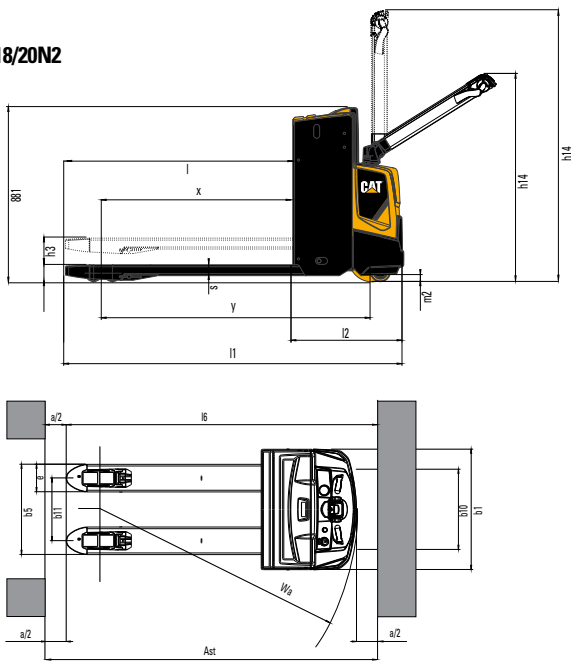
* Uncertainty of 4 dB(A) in section 8.4 / Noise level, mean value at operator's ear, drive/lift/idle

** With 375Ah battery the l2 dimension increases 72mm

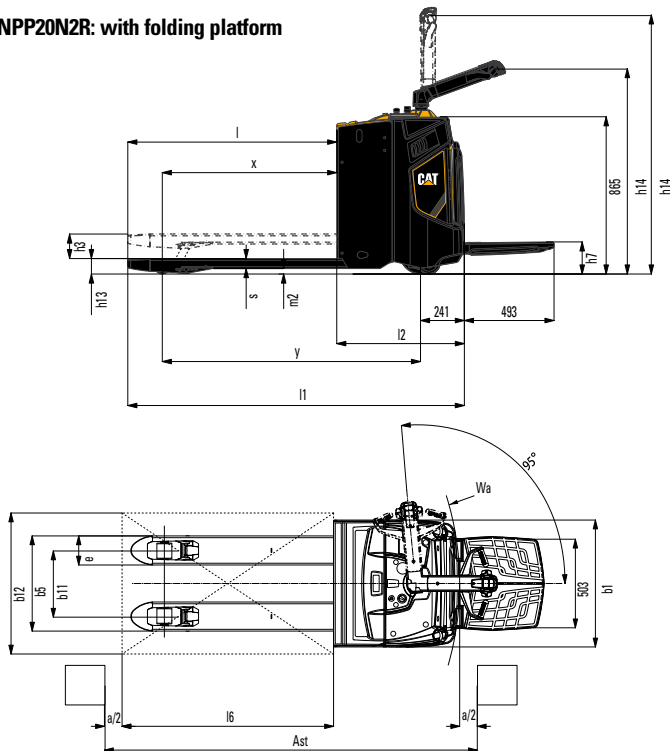
Ast = Wa-x+l6+200
a = Safety clearance (200 mm)
l6 = Pallet length



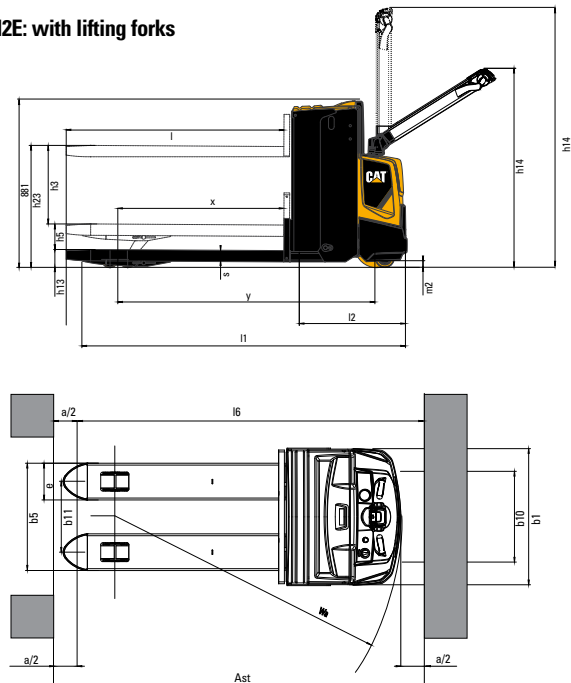
NPP16/18/20N2



NPP20N2R: with folding platform



NPP20N2E: with lifting forks



Lower Cost of Ownership

- Sturdy chassis construction and endurance-tested forks provide enhanced robustness and durability in even the toughest conditions
- Sealed chassis and waterproof electrics resist moisture, dirt and corrosion - increasing uptime, cutting maintenance costs and prolonging truck life
- Easy access to critical truck components allows faster fault diagnosis and speedier maintenance, reducing downtime still further
- Integrated drive and lift system features fewer components than previous models, reducing scope for breakdown
- Closed battery compartment with steel cover protects battery against impacts, postponing costly battery replacement
- Standard battery sizes allow interchangeability with other brands

Unmatched Productivity

- Ergonomic tiller arm helps keep operators fresh with comfortable controls
- Increased maximum lift height suits even steep ramps and loading docks, making this an ideal truck for both horizontal pallet movements and vehicle loading/unloading
- Advanced AC programmable controller lets users prioritise between faster performance and smoother handling, ensuring the most appropriate settings for the job
- Rounded fork tips make for accurate and effortless pallet entry, speeding up handling cycles and preventing pallet or load damage
- The NPP20N2R, with a maximum speed of 6 km/h, is equipped with a foldable platform for occasional use when driving over longer distances

Safety and Ergonomics

- Latest tiller arm design permits comfortable operating position with optimum hand protection
- Super-quiet oil-filled transmission helps keep noise levels low
- Optional large lift and lower levers allow easy, one-handed control, even with gloves
- Linked suspension castor wheels ensure highest possible truck stability
- The spacious platform of the NPP20N2R, with suspension for a comfortable ride, is easy to get on- and off offering also a good ground clearance.
- The NPP20N2E is equipped with lifting forks (735 mm height) that offer an ergonomic position for loading and unloading items with minimal physical strain

Options

- Pallet entry/exit rollers
- Load backrest
- Multifunctional display including hour meter
- Cold store modification class III for environments down to -35°C
- Equipment holder for: A4-size list bracket, computer rack, bottle holder and pen holder (except NPP16N2).
- Large lift/lower levers
- Single load wheels (standard on NPP16N2)
- Internal battery charger (except NPP20N2R)

For the complete list of available options please contact your nearest dealer.



Cat® Lift Trucks.

Your partner in materials handling.



info@catliftruck.com
www.catliftruck.com

WESC1699 (01/15)
©2015, MCFE. All rights reserved.
CAT, CATERPILLAR, BUILT FOR IT, their respective logos,
'Caterpillar Yellow' and the 'Power Edge' trade dress, as well
as corporate and product identity used herein, are trademarks
of Caterpillar and may not be used without permission.
Printed in The Netherlands



NOTE: Performance specifications may vary depending on standard manufacturing tolerances, vehicle condition, types of tyres, floor or surface conditions, applications, or operating environment. Trucks may be shown with non-standard options. Specific performance requirements and locally available configurations should be discussed with your Cat lift trucks Dealer. Cat Lift Trucks follows a policy of continual product improvement. For this reason, some materials, options and specifications could change without notice.

