



DP40NB/GP40N - DP45NB/GP45N
DP50CNB/GP50CN - DP50NB/GP50N
DP55NB/GP55N

Specifications

Engine powered lift trucks

4.0 - 5.5 tonnes

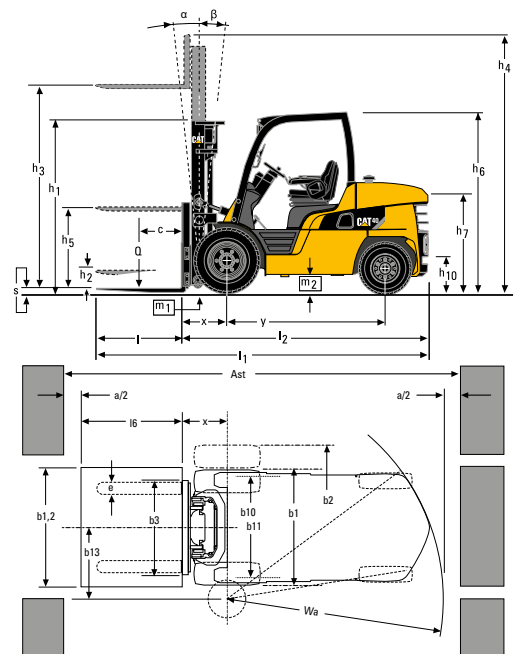


Characteristics							
1.1	Manufacturer (abbreviation)		Cat Lift Trucks	Cat Lift Trucks	Cat Lift Trucks	Cat Lift Trucks	Cat Lift Trucks
1.2	Manufacturer's model designation		DP40NB	DP45NB	DP50CNB	DP50NB	DP55NB
1.3	Power source: (battery, diesel, LPG, petrol)		Diesel	Diesel	Diesel	Diesel	Diesel
1.4	Operator type: pedestrian, (operator)-standing, -seated		Seated	Seated	Seated	Seated	Seated
1.5	Load capacity	Q (kg)	4000	4500	5000	5000	5500
1.6	Load centre distance	c (mm)	500	500	500	600	600
1.8	Load distance, axle to fork face	x (mm)	577	577	582	602	602
1.9	Wheelbase	y (mm)	1850	2000	2000	2150	2150
Weight							
2.1	Truck weight, without load / including battery (simplex mast, lowest lift height)	kg	5920	6330	6850	7300	7640
2.2	Axle loading with maximum load, front/rear (simplex mast, lowest lift height)	kg	8960/960	9710/1130	10600/1250	11020/1280	11740/1400
2.3	Axle loading without load, front/rear (simplex mast, lowest lift height)	kg	2630/3290	2780/3550	2900/3950	3220/4080	3170/4470
Wheels, Drive Train							
3.1	Tyres: V=solid, L=pneumatic, SE=solid pneumatic - front/rear		L/L	L/L	L/L	L/L	SE/SE
3.2	Tyre dimensions, front		8.25-15-14PR	300-15-18PR	300-15-18PR	300-15-18PR	300-15/8.00
3.3	Tyre dimensions, rear		7.00-12-14PR	7.00-12-14PR	7.00-12-14PR	7.00-12-14PR	7.00-12/5.00
3.5	Number of wheels, front/rear (x=driven)		2x/2	2x/2	2x/2	2x/2	2x/2
3.6	Track width (centre of tyres), front	b10 (mm)	1175	1175	1175	1175	1175
3.7	Track width (centre of tyres), rear	b11 (mm)	1180	1180	1180	1180	1180
Dimensions							
4.1	Mast tilt, forwards/backwards	α/β °	6/12	6/12	6/12	6/12	6/12
4.2	Height with mast lowered (see tables)	h1 (mm)	2320	2320	2400	2400	2400
4.3	Free lift (see tables)	h2 (mm)	150	150	150	160	160
4.4	Lift height (see tables)	h3 (mm)	3300	3300	3300	3300	3300
4.5	Overall height with mast raised	h4 (mm)	3920	3920	4000	4000	4000
4.7	Height to top of overhead guard	h6 (mm)	2296	2296	2296	2296	2296
4.8	Seat height	h7 (mm)	1082	1082	1082	1082	1082
4.12	Tow coupling height	h10 (mm)	395	395	395	395	395
4.19	Overall length	l1 (mm)	4220	4350	4390	4530	4580
4.20	Length to fork face (includes fork thickness)	l2 (mm)	3000	3130	3170	3310	3360
4.21	Overall width	b1/b2 (mm)	1415/1965	1460/1965	1460/1965	1460/1965	1460/1965
4.22	Fork dimensions (thickness, width, length)	s, e, l (mm)	50/150/1220	50/150/1220	50/150/1220	60/150/1220	60/150/1220
4.23	Fork carriage to DIN 15 173 A/B/no		3A	3A	3A	4A	4A
4.24	Fork carriage width	b3 (mm)	1190	1190	1190	1190	1190
4.31	Ground clearance under mast, with load	m1 (mm)	150	150	150	150	150
4.32	Ground clearance at centre of wheelbase, with load (forks lowered)	m2 (mm)	227	227	227	227	227
4.33	Working aisle width with 1000 x1200 mm pallets, crosswise	Ast (mm)	4357	4507	4542	4692	4742
4.34a	Working aisle width with 800 x1200 mm pallets, lengthwise	Ast (mm)	4157	4307	4342	4492	4542
4.35	Turning circle radius	Wa (mm)	2580	2730	2760	2890	2940
4.36	Minimum distance between centres of rotation	b13 (mm)	836	903	903	971	971
Performance							
5.1	Travel speed, with/without load	km/h	19.5/20.5	19.5/20.5	19.5/20.5	19.0/20.0	19.0/20.0
5.2	Lifting speed, with/without load	m/s	0.55/0.61	0.55/0.61	0.47/0.53	0.47/0.53	0.47/0.53
5.3	Lowering speed, with/without load	m/s	0.50/0.50	0.50/0.50	0.50/0.50	0.50/0.50	0.50/0.50
5.5	Rated drawbar pull, with/without load	N	27000/17400	27000/18700	26500/19400	26500/21800	26000/21300
5.7	Gradeability, with/without load	%	29/26	26/27	24/26	23/27	21/25
5.9	Acceleration time (10 metres) with/without load	s	-/-	-/-	-/-	-/-	-/-
5.10	Service brakes (mechanical/hydraulic/electric/pneumatic)		Hydraulic	Hydraulic	Hydraulic	Hydraulic	Hydraulic
IC Engine							
7.1	Manufacturer / Type		854F	854F	854F	854F	854F
7.2	Rated output to ISO 1585	kW	55	55	55	55	55
7.3	Rated speed to DIN 70 020	rpm	2200	2200	2200	2200	2200
7.4	Number of cylinders / cubic capacity	cm ³	4 / 3400	4 / 3400	4 / 3400	4 / 3400	4 / 3400
7.5	Fuel consumption according to VDI 60 cycle	l/h / kg/h	5.1 / -	5.3 / -	5.5 / -	5.6 / -	5.9 / -
7.6	Max torque	Nm	260	260	260	260	260
7.7	Max torque at engine speed	rpm	1000	1000	1000	1000	1000
Miscellaneous							
8.1	Type of drive control		Powershift 2/1	Powershift 2/1	Powershift 2/1	Powershift 2/1	Powershift 2/1
8.2	Maximum operating pressure for attachments	bar	191	191	191	191	191
8.3	Oil flow for attachments	l/min	80	80	80	80	80
8.4	Noise level, value at operator's ear (EN 12053)	dB(A)	84	84	84	84	84
8.5	Towing coupling design / DIN type, ref.		Pin	Pin	Pin	Pin	Pin

* On request



	Cat Lift Trucks GP40N	Cat Lift Trucks GP45N	Cat Lift Trucks GP50CN	Cat Lift Trucks GP50N	Cat Lift Trucks GP55N
	LPG	LPG	LPG	LPG	LPG
	Seated	Seated	Seated	Seated	Seated
	4000	4500	5000	5000	5500
	500	500	500	600	600
	577	577	582	602	602
	1850	2000	2000	2150	2150
	5860	6270	6780	7240	7570
	8940/920	9680/1090	10570/1210	10990/1250	11710/1360
	2610/3250	2750/3520	2870/3920	3190/4050	3130/4440
	L/L	L/L	L/L	L/L	SE/SE
	8.25-15-14PR	300-15-18PR	300-15-18PR	300-15-18PR	300-15/8.00
	7.00-12-14PR	7.00-12-14PR	7.00-12-14PR	7.00-12-14PR	7.00-12/5.00
	2x/2	2x/2	2x/2	2x/2	2x/2
	1175	1175	1175	1175	1175
	1180	1180	1180	1180	1180
	6/12	6/12	6/12	6/12	6/12
	2320	2320	2400	2400	2400
	150	150	150	160	160
	3300	3300	3300	3300	3300
	3920	3920	4000	4000	4000
	2296	2296	2296	2296	2296
	1082	1082	1082	1082	1082
	395	395	395	395	395
	4220	4350	4390	4530	4580
	3000	3130	3170	3310	3360
	1415/1965	1460/1965	1460/1965	1460/1965	1460/1965
	50/150/1220	50/150/1220	50/150/1220	60/150/1220	60/150/1220
	3A	3A	3A	4A	4A
	1190	1190	1190	1190	1190
	150	150	150	150	150
	227	227	227	227	227
	4357	4507	4542	4692	4742
	4157	4307	4342	4492	4542
	2580	2730	2760	2890	2940
	836	903	903	971	971
	22.0/22.5	22.0/22.5	22.0/22.5	22.0/22.5	21.5/22.5
	0.57/0.60	0.57/0.60	0.49/0.52	0.49/0.52	0.49/0.52
	0.50/0.50	0.50/0.50	0.50/0.50	0.50/0.50	0.50/0.50
	28000/17200	27500/18500	27500/19200	27000/21600	27000/21000
	30/26	27/26	25/25	23/26	22/25
	-/-	-/-	-/-	-/-	-/-
	Hydraulic	Hydraulic	Hydraulic	Hydraulic	Hydraulic
	GCT GK45	GCT GK45	GCT GK45	GCT GK45	GCT GK45
	72	72	72	72	72
	2450	2450	2450	2450	2450
	6 / 4452	6 / 4452	6 / 4452	6 / 4452	6 / 4452
	- / 5.3	- / 5.9	- / 6.2	- / 6.3	- / 7.1
	288 / 1600	288 / 1600	288 / 1600	288 / 1600	288 / 1600
	1200	1200	1200	1200	1200
	Powershift 2/1	Powershift 2/1	Powershift 2/1	Powershift 2/1	Powershift 2/1
	191	191	191	191	191
	80	80	80	80	80
	84	84	84	84	84
	Pin	Pin	Pin	Pin	Pin



Ast = $Wa + x + l6 + a$
Ast = Working aisle width with load
a = Safety clearance (200 mm)
l6 = Pallet length (800 or 1000 mm)
b12 = Pallet width (1200 mm)

Lower Cost of Ownership

- Specially positioned air intake system lengthens the life of air intake filter cartridges.
- LCD multifunctional display with indicators providing all safety functions, allows for rapid trouble shooting.
- Long service interval.
- Durable transmission system giving smooth and accurate gear changes and low noise levels.
- The diesel versions are equipped with the 854F four cylinder Euro Stage IIIB compliant 3.4L engine. The turbo charged engine is optimized for low speed torque and provides 5.0L power with the economy of a 3.4L engine.
- The engine includes maintenance free metallic diesel particular filter (DPF) featuring a passive regeneration.
- Highly regarded, market proven industrial LPG engine give excellent performance.
- LED front and rear combination lights.

Unmatched Productivity

- Engine hour's timer keeps track of hours worked helping fleet managers to schedule regular maintenance.
- Compact design increases maneuverability in space restricted areas.
- Cooling system designed to reduce blockages utilising pusher type radiator airflow.

- Wide variety of mast types and lifting heights allows the truck to be specified to your needs.
- Full floating power train featuring two forward speeds and one speed reverse with high gradeability and travel speed.
- Hydrostatic steering system makes maneuvering the truck light and easy.

Safety and Ergonomics

- PDS+, presence detection system disengages drive and hydraulic functions when the operator's seat is vacated.
- Ground speed control feature allows limit the top speed of the truck.
- Electronic button operated parking brake.
- Fingertips hydraulic control in seat mounted armrest.
- Hydraulic controlled drum brake system for increased safety.
- Adjustable steering column for comfortable operation.

Options

- Load weight indicator including overload indicator.
- Oil Cooled Wet Disk Breaks with transmission protection.
- Hook-on and integrated side sifters.

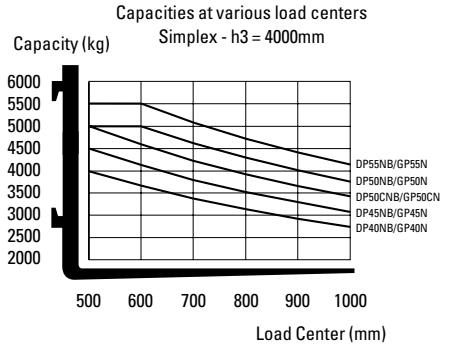


Cat® Lift Trucks.

Your partner in materials handling.

Mast Performance and Capacity

- h1 Height with mast lowered
- h2 Standard free lift
- h3 Lift height
- h4 Height with mast raised
- h5 Full free lift
- Q Lifting capacity, rated load
- c Load centre (distance)



Mast Type	DP40NB/GP40N DP45NB/GP45N					DP40NB/GP40N PNEUMATIC		DP45NB/GP45N PNEUMATIC		DP40NB/GP40N SOLID PNEUMATIC		DP45NB/GP45N SOLID PNEUMATIC	
	h3	h1	h4	h2/h5	Tilt angle (fwd-back)	Q @ c = 500mm kg	Q @ c = 600mm kg	Q @ c = 500mm kg	Q @ c = 600mm kg	Q @ c = 500mm kg	Q @ c = 600mm kg	Q @ c = 500mm kg	Q @ c = 600mm kg
Simplex	3000	2170	4130	150	6°/12°	4000	3500	4500	4000	4000	3500	4500	4000
	3300	2320	4430	150	6°/12°	4000	3500	4500	4000	4000	3500	4500	4000
	3700	2520	4830	150	6°/12°	4000	3500	4500	4000	4000	3500	4500	4000
	4000	2700	5130	150	6°/12°	4000	3500	4500	4000	4000	3500	4500	4000
	4500	3000	5630	150	6°/6°	4000	3500	4500	4000	4000	3500	4500	4000
	5000	3250	6130	150	6°/6°	3850*	3500	4500	4000	4000	3500	4500	4000
	5500	3500	6630	150	6°/6°	3650*	3400*	4300*	4000*	3700	3500	4400	4000
6000	3750	7130	150	6°/6°	3500*	3300*	3900*	3900*	3600	3400	4250	3900	
Duplex	3000	2170	4130	1090	6°/12°	4000	3500	4500	4000	4000	3500	4500	4000
	3300	2320	4430	1240	6°/12°	4000	3500	4500	4000	4000	3500	4500	4000
	3700	2520	4830	1440	6°/12°	4000	3500	4500	4000	4000	3500	4500	4000
	4100	2700	5190	1620	6°/12°	4000	3500	4500	4000	4000	3500	4500	4000
Triplex	3700	1950	4830	870	6°/6°	4000	3500	4500	4000	4000	3500	4500	4000
	4000	2050	5130	970	6°/6°	4000	3500	4500	4000	4000	3500	4500	4000
	4360	2170	5490	1090	6°/6°	4000	3500	4500	4000	4000	3500	4500	4000
	4700	2285	5830	1200	6°/6°	3900	3500	4500	4000	4000	3500	4500	4000
	5050	2400	6180	1320	6°/6°	3800	3500	4500	4000	3900	3500	4500	4000
	5500	2550	6630	1470	6°/6°	3600*	3400*	4200*	4000*	3700	3450	4350	4000
	6000	2750	7130	1670	6°/6°	3450*	3250*	4050*	3800*	3550	3300	4200	3900
	6500	2950	7630	1870	6°/6°	3000*	3000*	3000*	3000*	3350	3200	4050*	3800*
	7000	3150	8130	2070	6°/6°	2400*	2400*	2400*	2400*	3300*	3100*	3500*	3500*

Mast Type	DP50CNB/GP50CN					DP50CNB/GP50CN PNEUMATIC		DP50CNB/GP50CN SOLID PNEUMATIC	
	h3	h1	h4	h2/h5	Tilt angle (fwd-back)	Q @ c = 500mm kg	Q @ c = 600mm kg	Q @ c = 500mm kg	Q @ c = 600mm kg
Simplex	3000	2250	4130	150	6°/12°	5000	4500	5000	4500
	3300	2400	4430	150	6°/12°	5000	4500	5000	4500
	3700	2600	4830	150	6°/12°	5000	4500	5000	4500
	4000	2850	5130	150	6°/12°	5000	4500	5000	4500
	4500	3100	5630	150	6°/6°	5000	4500	5000	4500
	5000	3350	6130	150	6°/6°	5000	4500	5000	4500
	5500	3600	6630	150	6°/6°	4750*	4500*	4850	4500
6000	3850	7130	150	6°/6°	3900*	3900*	4700	4400	
Duplex	3000	2250	4100	1170	6°/12°	5000	4500	5000	4500
	3300	2400	4410	1320	6°/12°	5000	4500	5000	4500
	4100	2850	5210	1770	6°/12°	5000	4500	5000	4500
Triplex	3700	2050	4830	970	6°/6°	5000	4500	5000	4500
	4040	2170	5170	1090	6°/6°	5000	4500	5000	4500
	4310	2260	5440	1180	6°/6°	5000	4500	5000	4500
	4750	2400	5880	1320	6°/6°	5000	4500	5000	4500
	5050	2500	6180	1420	6°/6°	5000	4500	5000	4500
	5500	2650	6630	1570	6°/6°	4700*	4450*	4800	4500
	6000	2850	7130	1770	6°/6°	4200*	4200*	4600*	4350
	6500	3050	7630	1970	6°/6°	3000*	3000*	4450*	4200*
	7000	3250	8130	2170	6°/6°	2400*	2400*	3500*	3500*

Mast Type	DP50NB/GP50N DP55NB/GP55N					DP50NB/GP50N PNEUMATIC	DP55NB/GP55N PNEUMATIC	DP50NB/GP50N SOLID PNEU.	DP55NB/GP55N SOLID PNEU.
	h3	h1	h4	h2/h5	Tilt angle (fwd-back)	Q @ c = 600mm kg	Q @ c = 600mm kg	Q @ c = 600mm kg	Q @ c = 600mm kg
Simplex	3000	2250	4280	150	6°/12°	5000	5500	5000	5500
	3300	2400	4580	150	6°/12°	5000	5500	5000	5500
	3700	2600	4980	150	6°/12°	5000	5500	5000	5500
	4000	2850	5280	150	6°/12°	5000	5500	5000	5500
	4500	3100	5780	150	6°/6°	5000	5500	5000	5500
	5000	3350	6280	150	6°/6°	5000	5500*	5000	5500
	5500	3600	6780	150	6°/6°	4900*	(4650)*	5000	5500
6000	3850	7280	150	6°/6°	4100*	(3450)*	4900	5350*	
Duplex	3000	2250	4250	1030	6°/12°	5000	5500	5000	5500
	3300	2400	4560	1180	6°/12°	5000	5500	5000	5500
	4100	2850	5360	1630	6°/12°	5000	5500	5000	5500
Triplex	3700	2050	4980	830	6°/6°	5000	5500	5000	5500
	4040	2170	5320	950	6°/6°	5000	5500	5000	5500
	4310	2260	5590	1040	6°/6°	5000	5500	5000	5500
	4500	2320	5790	1100	6°/6°	5000	5500	5000	5500
	4750	2400	6030	1180	6°/6°	5000	5450	5000	5500
	5050	2500	6330	1280	6°/6°	5000	5500*	5000	5500
	5500	2650	6780	1430	6°/6°	4900*	-	5000	5500
	6000	2850	7280	1630	6°/6°	4300*	-	4800*	5300*

* Truck equipped with dual tyres. Consult your dealer for maximum back-tilt allowed, to obtain the capacities specified.

(l) Capacities shown in brackets for the 5.5 tonnes model show lower capacities compared to 5.0 tonne model.

info@catliftruck.com
www.catliftruck.com

CESC1887-D(04/18)
©2018, MCFE. All rights reserved.
CAT, CATERPILLAR, BUILT FOR IT, their respective logos, "Caterpillar Yellow", the "Power Edge" trade dress as well as corporate and product identity used herein, are trademarks of Caterpillar and may not be used without permission.

Printed in The Netherlands

NOTE: Performance specifications may vary depending on standard manufacturing tolerances, vehicle condition, types of tyres, floor or surface conditions, applications, or operating environment. Trucks may be shown with non-standard options. Specific performance requirements and locally available configurations should be discussed with your Cat lift trucks Dealer. Cat Lift Trucks follows a policy of continual product improvement. For this reason, some materials, options and specifications could change without notice.

nash
PLANT GROUP
Sales & Hire
1300 627 474

