

# 8210 Walkie Pallet Truck

8000-series  
F45L



# Dimensions and General Information

Specifications		In.(mm)	32 (813)	36 (914)	42 (1067)	46 (1168)	48 (1219)	54 (1372)	60 (1524)
A	Actual Fork Length [1]	In.(mm)	29.5 (750)	33.5 (851)	39.5 (1004)	43.5 (1105)	45.4 (1152)	51.5 (1308)	57.5 (1461)
B	Overall Length	In.(mm)	53.4 (1356)	57.3 (1467)	63.4 (1610)	67.4 (1711)	69.2 (1758)	75.4 (1914)	81.4 (2067)
C	Wheelbase, Lowered	In.(mm)	40.2 (1022)	44.2 (1123)	50.2 (1276)	54.2 (1377)	56.0 (1424)	62.2 (1580)	68.2 (1733)
C	Wheelbase, Raised	In.(mm)	37.2 (944)	41.1 (1045)	47.2 (1198)	51.1 (1299)	53.0 (1346)	59.1 (1502)	65.2 (1655)
D	Load Wheel Location, Lowered	In.(mm)	24.0 (611)	28.0 (712)	34.0 (865)	38.0 (966)	39.9 (1013)	46.0 (1169)	52.0 (1322)
D	Load Wheel Location, Raised	In.(mm)	20.9 (531)	24.9 (632)	30.9 (785)	34.9 (886)	36.7 (9335)	42.9 (1089)	48.9 (1242)
E	Turning Radius, Raised	In.(mm)	44.8 (1138)	48.8 (1239)	54.8 (1392)	58.8 (1493)	60.6 (1540)	66.8 (1696)	72.8 (1849)
G	Truck OAW	In.(mm)	28 (711)						
H	Power Unit Height, Lowered (as shown)	In.(mm)	32.7 (831)						
J1	Handle Height, Fully Raised	In.(mm)	47.2 (1200)						
J2	Handle Height, Upper Brake Position	In.(mm)	46.5 (1180)						
J3	Handle Height, Lower Brake Position	In.(mm)	26.8 (680)						
J4	Handle Height, Fully Lowered	In.(mm)	23.6 (600)						
L	Bumper to Drive Tire Center	In.(mm)	7.7 (195)						
M	Bumper Underclearance	In.(mm)	2.9 (75)						
N	Battery Compartment Width [2]	In.(mm)	7.8 (199)						
R	Battery Compartment Length [3]	In.(mm)	27.0 (687)						
S	Fork Width (each)	In.(mm)	6.75 (172)						
T	Actual Fork OAW [4][5]	In.(mm)	26.6 (675)						
U	Head Length [6]	In.(mm)	23.9 (606)						
V	Fork Down Height (Min./Max.)	In.(mm)	3.1 /3.4 (79 / 86)						
W	Fork Raised Height (Min./Max.)	In.(mm)	8.5/9.1 (216/231)						
X	Lift	In.(mm)	5.5 (141)						

		8210-F45L
Power Unit		24 Volt Single Drive, AC Drive Motor
Max. Capacity	lb.(kg)	4,500 (2041)
Drive Tire, Rubber, Dia. x W	In.(mm)	10 x 5 (254 x 127)
Load Tire, Poly (2), Dia. x W	In.(mm)	3.25 x 4.5 (83 x 114)
Gradability, Unloaded	%	10
Gradability, Loaded (2,500 lb. load)	%	10
Gradability, Loaded (4,500 lb. load)	%	10

## NOTES:

[1] Note that Actual Fork Length is 2.5 in. (64 mm) shorter than Nominal Fork Length for added truck maneuverability.

[2] 9.0 in. (229 mm) Battery Compartment is available as an option.

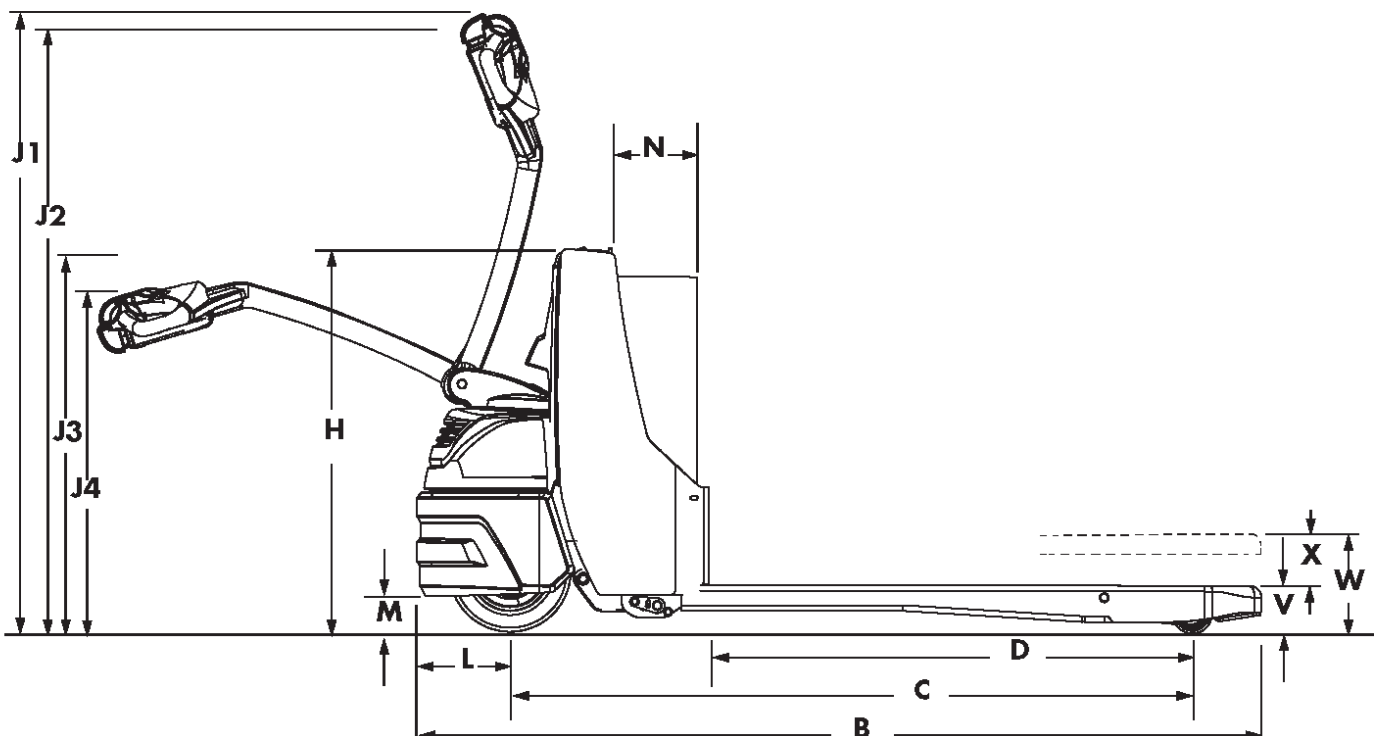
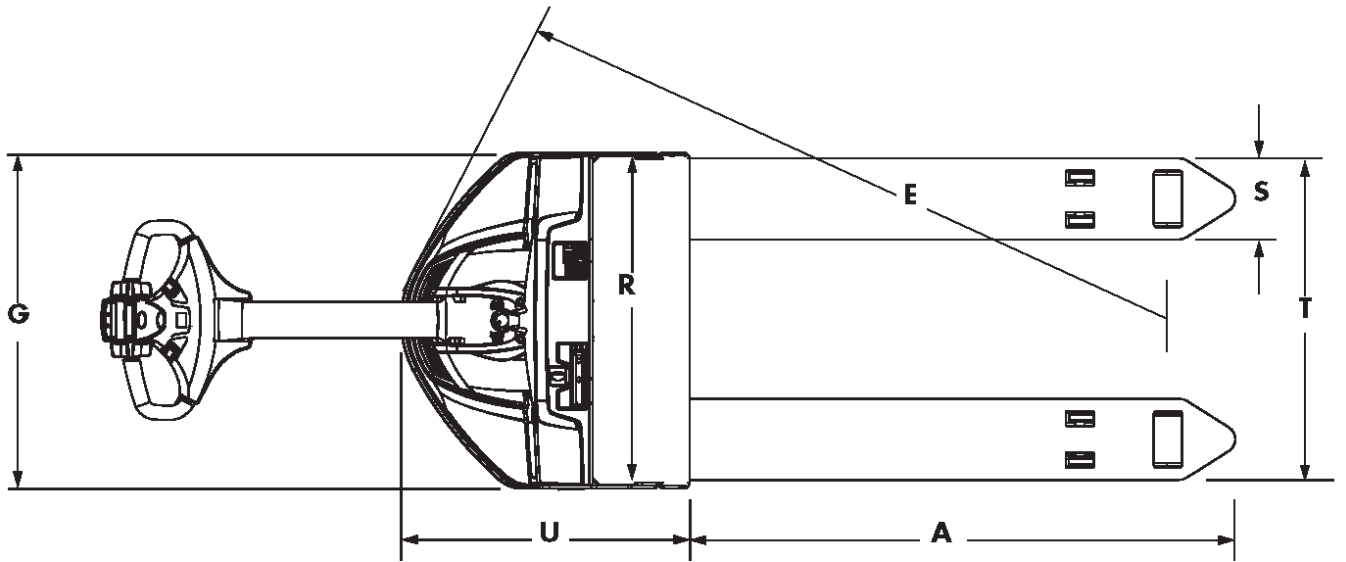
[3] 25 in. (635 mm), 22 in. (559 mm), 20 in. (508 mm), and 18 in. (457 mm) also available.

[4] Note that Actual Fork OAW is 0.5 in. (13 mm) narrower than Nominal Fork OAW for added truck maneuverability.

[5] 24.5 in. (622 mm), 21.5 in. (546 mm), 19.5 in. (495 mm), and 17.5 in. (445 mm) also available.

[6] Head Length shown is for 7.8 in. (199 mm) battery compartment. Head Length for optional 9.0 in. (229 mm) battery compartment is 25.1 in. (637 mm).

[7] Add 2.3 in. (59 mm) for total distance to handle end.



Performance Specifications		8210-F45L	
		Unloaded	Loaded
Travel Speed [1]	mph (km/h)	3.9 [2] (6.3)	3.6 [2] (5.8)
Lift Time	sec	2.25	3.0

**NOTES:** [1] Maximum speed attainable, after break-in period, varies with truck weight, rolling resistance, options, and battery condition.  
[2] These speeds are adjustable, with the handle settings, to lower speeds for operator comfort.

Battery Specifications		8210-F45L	
Amperes, Max		750	
Battery Connector Type		SB-175	
Battery Connector Color		Gray	
Lead Location		B	
Lead Length	in.(mm)	18 (457)	
Maximum Usable Battery Compartment Dimensions (L x W x H)	in.(mm)	26.6 x 7.5 x open [1] (675 x 192 x open)	
Optional Battery Compartment: Maximum Usable Battery Compartment Dimensions (L x W x H)	in.(mm)	26.6 x 8.7 x open [1] (675 x 221 x open)	
Battery Weight, Maximum	lb.(kg)	660 (299)	
Battery Weight, Minimum	lb.(kg)	200 (91)	

**NOTES:** [1] Batteries taller than 32 in. (812 mm) can limit visibility to fork tips.

## Standard Equipment

- The *ACR System™*
- Battery, 24 Volt Power Unit
- Battery Compartment, 7.8" wide
- Battery Connector, Red, SB-175
- Battery Discharge Indicator with Lift Interrupt and Hour Meter
- Brake, Electromagnetic Disconnect
- Brake, Electric Release
- Braking, Regenerative
- Capacity, 4,500 lb. (2041 kg)
- Click-to-Creep Button Switch (C2C)
- Drive Tire, Rubber, 5 x 10"
- Dual Thumb Wheel Variable Speed and Direction Control
- Electronics, IP65 Dust and Waterproofing
- Emergency Power Disconnect
- Emergency Directional Reversing Switch
- Ergonomically Advanced Control Handle
- Error Code Display Integral to Handle
- Fork, 5.5" Lift
- Guard, Hand Wrap Around
- Horn
- Lift Cut Out
- Lift and Go Programmable Fork Height Travel Speed Limit
- Logo, Reflective
- Operator Handle Display
- *BSOC*
- *Diagnostics*
- *Error Code Display*
- *Fault History Access*
- *Hour Meters*
- Load Wheels, Poly, 4.5 x 3.25"
- OSHA and ANSI/ITSDF Compliance
- Owner and Operator Manuals
- Programmable Performance
- Stabilizer Bars with Polymer Blocks
- Stainless Steel Pins, Undercarriage
- UL Type "E" Construction
- Warranties, Asset Protection
- *Structural Extended Warranty*
- *Standard Warranty Coverage*

## Available Options

- Accessory Bar
- Battery Charger Pack
- Storage Tote
- Extreme Environment Corrosion Package
- Cold Storage Conditioning
- Load Wheels, Single Axle Dual Wheel
- Rubber Bumper Skirt



TMH1240421A 8210 - version 1, 1220