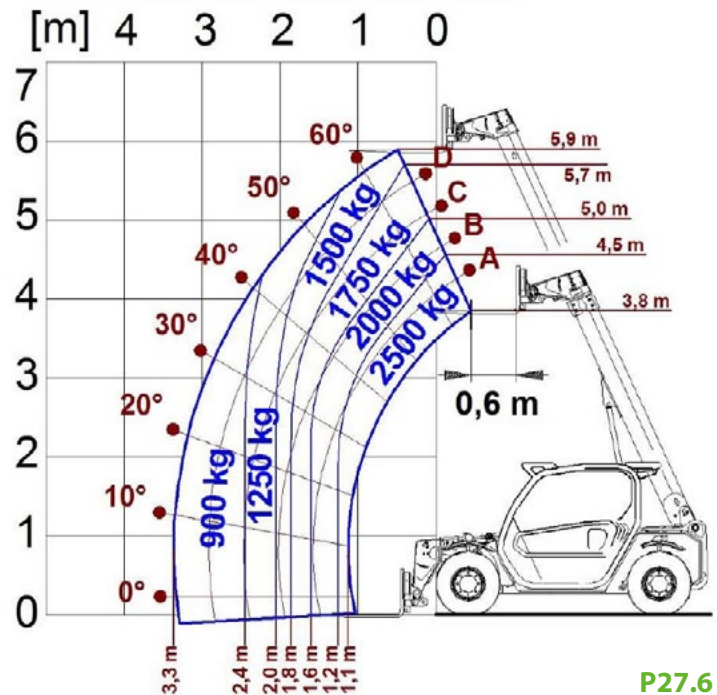




PANORAMIC P27.6



PERFORMANCE AND FEATURES	P27.6AU		
<b>PERFORMANCE</b>			
Total unladen weight (kg)	4850		
Maximum capacity (kg)	2500		
Lifting height (m)	5,9		
Maximum reach (m)	3,3		
Maximum operating height (m)	4,5		
Maximum operating reach (m)	1,2		
Capacity at maximum height (kg)	1500		
Capacity at maximum reach (kg)	900		
Lateral boom movement (mm)	-		
Tilting correction (%)	-		
Boom sections	2		
<b>POWERTRAIN</b>			
Turbo motor	Kubota V3307		
Displacement/cylinders	3300/4		
Engine Power (kW/HP)	55,4/75		
Anti-pollution technology	EURO III		
Reversible fan	-		
Maximum speed (km/h)	40		
Fuel tank (l)	70		
AdBlue tank (l)	-		
Hydrostatic transmission	● - 1V		
EPD	-		
Axles	Axial		
Reduction hub	Epicyclic		
Machine brakes	Dry discs		
Automatic parking brake	●		
<b>HYDRAULIC</b>			
Hydraulic pump	Gear		
Flow rate/pressure (l/min – bar)	94-210		
Hydraulic tank	70		
Hydraulic outlet at the top of the boom	●		
Rear hydraulic outlets	○		
<b>CAB</b>			
Cab configuration	ECO		
MCDC	●		
FOPS LIV II cab	●		
ROPS cab	●		
Cab commands	Electromechanical joystick		
Tilting Cab	-		
Reverse shuttle	Finger touch		
<b>CONFIGURATION</b>			
Cab suspension	-		
Boom suspension	○		
Suspension on axles	-		
Work headlights on cab	○		
Sun blind	○		
Tac-lock	●		
Provision for a platform	○		
Two floating forks	●		
Inching-Control	●		
Four-wheel drive	●		
Four-wheel steering	●		
Three steering modes	●		
Standard tyres	12,0/75-18"		
Optional tyres	-		
Stabilisers	-		
Turret rotation	-		
Type approval as an agricultural tractor	-		
Approval with PNEUMATIC braking	-		
Approval with HYDRAULIC braking	-		
PTO	-		
3-point linkage	-		
<b>DIMENSION</b>			
Width (mm)	1840		
Height (mm)	2000		
Length (mm)	3910		
Wheelbase (mm)	2450		



P27.6

## GLOSSAR

## SCR

**Selective Catalyst Reduction**, solution used for the reduction of NOx in the exhaust gases through the injection of a liquid - UREA (AdBlue) - into the exhaust gases.

## DPF

**Diesel Particulate Filter**, a solution used to reduce fine particle emissions in exhaust gases

## DOC

**Diesel Oxidation Catalyst**, a solution used to reduce carbon monoxide (CO) and hydrocarbons in exhaust gases

## EGR

**Exhaust Gas Recirculation**, a solution used to reduce NOx in exhaust gases by recirculating gas inside the combustion chamber of the engine.

## 1-2V

1 or 2 speed **Merlo gearbox**

## CVTronic

**Continuous variation Merlo gearbox**, for constant acceleration without loss of torque

## EPD

**Eco Power Drive**, Merlo electronically-controlled hydrostatic transmission Electronic, enables effective RPM management in order to reduce overall fuel consumption by the machine

## EPD Plus

In addition to the **EPD** Control, it is also possible to work using Speed Control (maintaining a constant travel speed) and Heavy Load (management of RPM in order to maximise performance for tasks such as: bucketing operations, heavy duty unloading, etc.)

## EPD Top

In addition to the **EPD Plus** control function, this enables the RPM to be managed directly using the joystick

## Gear

**Fixed displacement pump with gears**, combined with an open centre hydraulic distributor

## LS

Variable displacement pump with **Load Sensing** control, combined with a closed centre hydraulic distributor

## LS+FS

Variable displacement pump with **Load Sensing** control, combined with a closed centre hydraulic distributor equipped with solenoid valves and **Flow Sharing** control.

## Kabine ECO/PREMIUM

**MODULAR** type cabin with simplified or PREMIUM equipment

## MCDC

Merlo Dynamic Load Control, electronic control of the machine's anti-overflow system.

• **Light**: Simplified version; • **Complete**: Version with display in cab.

## FOPS

Falling object protective structure, the system which shields the operator from heavy objects falling onto the cab. Two levels:  
• **FOPS Liv I**: Object with a weight of 45 kg falling from 3 metres • **FOPS Liv II**: Object with a weight of 227 kg falling from 5.2 metres

## ROPS

**Roll-over protection system** (or roll-over protection structure), the system that protects the operator if the vehicle rolls over

## Finger Touch

Driving direction inversion system mounted on the steering column

## Dual Reverse

Dual driving direction inversion system, on both the steering column and the joystick

## Tac-lock

Hydraulic attachment clamping system controlled from the cab



**MERLO S.P.A.**  
Via Nazionale, 9  
12010 S. Defendente di Cervasca  
(Cuneo) Italia  
Tel. +39 0171 614111  
Fax +39 0171 684101

**info@merlo.com**  
**www.merlo.com**

