



SJ46/51 AJ ARTICULATING BOOMS

nash
PLANT GROUP
Sales & Hire
1 3 0 0 6 2 7 4 7 4

STANDARD FEATURES

- EASYDRIVE™ Direction sensing drive and steer controls
- SKYRISER™ True vertical rise
- SKYCODED™ Colour coded and numbered wiring system
- Axle based 4WD system
- Operator controlled locking rear differential and limited slip front differential
- Oscillating axle
- 45% Gradeability
- Drivable at full height
- Stage V Deutz D2.2L diesel engine
- Wet disc SAHR brakes (rear axle)
- Relay based control system
- Proportional controls
- Secondary Guarding Electrical (SGE)
- Overload sensing system
- Tilt alarm with drive cut-out
- 0.76 x 1.83 m Platform
- Modular platform railing system
- Lanyard attachment points
- Dual-entry sliding mid rails
- Wiring for outlet on platform
- Swing out engine tray
- Swing up cowlings
- Operator horn
- Hourmeter
- 355° Non-continuous turret rotation
- Tie down/lifting lugs
- 12 x 16.5 Grip lug foam-filled tyres

ACCESSORIES AND OPTIONS

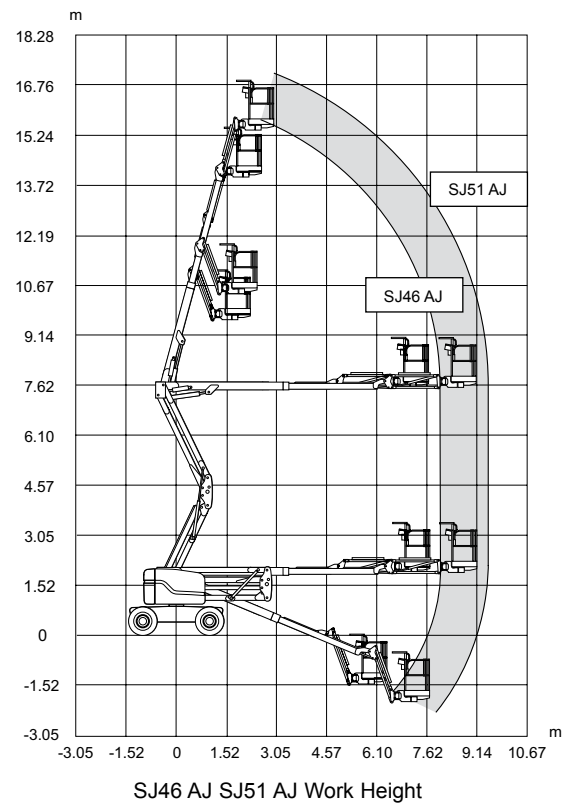
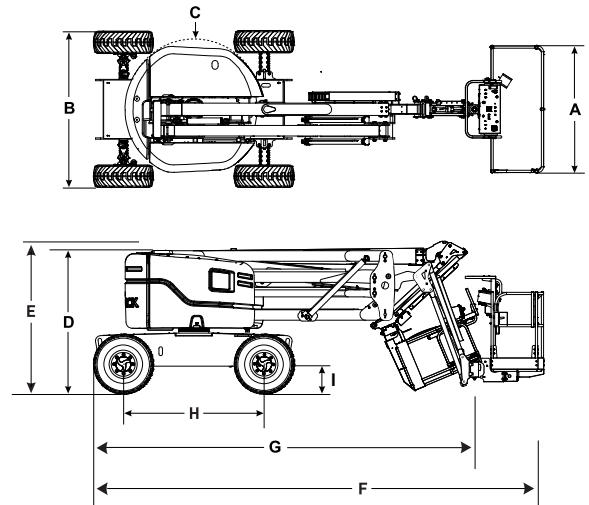
- Glazier kit
- Pipe rack
- Tool caddy
- Deutz D2011L03i diesel engine (export only)
- Platform work lights
- Flashing light
- All motion alarm
- 0.76 x 1.52 m platform
- Side gate
- Auxiliary top rail (0.76 x 1.83 m platform only)
- 3.5 kW Generator (Includes hydraulic oil cooler)
- Diesel scrubber
- Hydraulic oil cooler
- Bio oil
- 1/2" Airline to platform
- Control box cover
- 315/55D20 Grip lug foam-filled non marking tyres
- ELEVATE telematics

† Standard lead times may be increased when optional equipment is added, consult factory.

‡ Capacities, and machine weights may differ when options are added.

SJ46/51 AJ ARTICULATING BOOMS

Dimensions	SJ46 AJ	SJ51 AJ
Work Height	16.10 m	17.55 m
Platform Height	14.10 m	15.55 m
Horizontal Reach	7.54 m	9.03 m
Working Reach	8.19 m	9.68 m
Up and Over Height	7.45 m	7.45 m
A Platform Size	1.83 x 0.76 m	1.83 x 0.76 m
B Stowed Width	2.29 m	2.29 m
C Tailswing	Zero	Zero
D Stowed Height	2.06 m	2.06 m
E Transportation Height	2.16 m	2.27 m
F Stowed Length	6.35 m	7.10 m
G Transportation Length	5.97 m	6.72 m
H Wheelbase	2.03 m	2.03 m
I Ground Clearance	0.40 m	0.40 m
Specifications	SJ46 AJ	SJ51 AJ
Rotation	355° NC	355° NC
Platform Rotation	170°	170°
Jib Length	1.52 m	1.52 m
Jib Range +/-	+70° / -75°	+70° / -75°
Weight	6500 kg	7300 kg
Gradeability	45%	45%
Turning Radius (Inside)	2.48 m	2.48 m
Turning Radius (Outside)	5.15 m	5.15 m
Axle Oscillation	0.20 m	0.20 m
Drive Speed (High speed)	4 km/h	4 km/h
Capacity	227 kg	227 kg
Local Floor Load (With Rated Load)	856 kPa	917 kPa
Overall Floor Load (With Rated Load)	10.1 kPa	11.4 kPa
Maximum # of Persons	2	2
Tyre Type	Grip lug foam-filled	Grip lug foam-filled
Tyre Size	12 x 16.5	12 x 16.5
Diesel Engine	18.5kw (24.8hp)	18.5kw (24.8hp)
Fuel Tank Capacity	64 L	64 L
Hydraulic Reservoir	91 L	91 L



SJ46 AJ SJ51 AJ Work Height

Skyjack UK
 Unit 1, Maes-y-Clawdd
 Maesbury Road Industrial Estate
 Oswestry, Shropshire, SY10 8NN
 Tel: +44 1691 676235
 Fax: +44 1691 676239
 Email: info@skyjackeurope.co.uk

Skyjack SAS (France)
 74 Rue Sibert
 F-42400 Saint Chamond
 France
 Tel: +33 (0) 4 78 73 53 32
 Tel: +33 (0) 4 78 73 05 68
 Fax: +33 (0) 4 78 56 52 42

Skyjack Hebebühnen GmbH (Germany)
 Därmannsbusch 2a
 D-58456 Witten
 Tel: +49 (0) 2302 20 26 909
 Fax: +49 (0) 2302 20 25 671

Skyjack AB (Sweden)
 Agnesbergsvägen 28
 424 38 Agnesberg
 Sweden
 Tel: +46 (0) 31 21 22 45
 Fax: +46 (0) 31 787 65 10

www.skyjack.com

This brochure is for illustrative purpose only and based on the latest information at the time of printing. Skyjack Inc. reserves the right to make changes at any time, without notice, to specifications, standard and optional equipment. Consult the Operating Maintenance and Parts Manuals for proper procedures. CE marked work platforms are in conformance to Machinery Directive 2006/42/EC.