



SJ46/51 AJ ARTICULATING BOOMS

nash
PLANT GROUP
Sales & Hire
1 3 0 0 6 2 7 4 7 4

STANDARD FEATURES

- EASYDRIVE™ Direction sensing drive and steer controls
- SKYRISER™ True vertical rise
- SKYCODED™ Colour coded and numbered wiring system
- Axle based 4WD system
- Operator controlled locking rear differential and limited slip front differential
- Oscillating axle
- 45% Gradeability
- Drivable at full height
- Stage V Deutz D2.2L diesel engine
- Wet disc SAHR brakes (rear axle)
- Relay based control system
- Proportional controls
- Secondary Guarding Electrical (SGE)
- Overload sensing system
- Tilt alarm with drive cut-out
- 0.76 x 1.83 m Platform
- Modular platform railing system
- Lanyard attachment points
- Dual-entry sliding mid rails
- Wiring for outlet on platform
- Swing out engine tray
- Swing up cowlings
- Operator horn
- Hourmeter
- 355° Non-continuous turret rotation
- Tie down/lifting lugs
- 12 x 16.5 Grip lug foam-filled tyres

ACCESSORIES AND OPTIONS

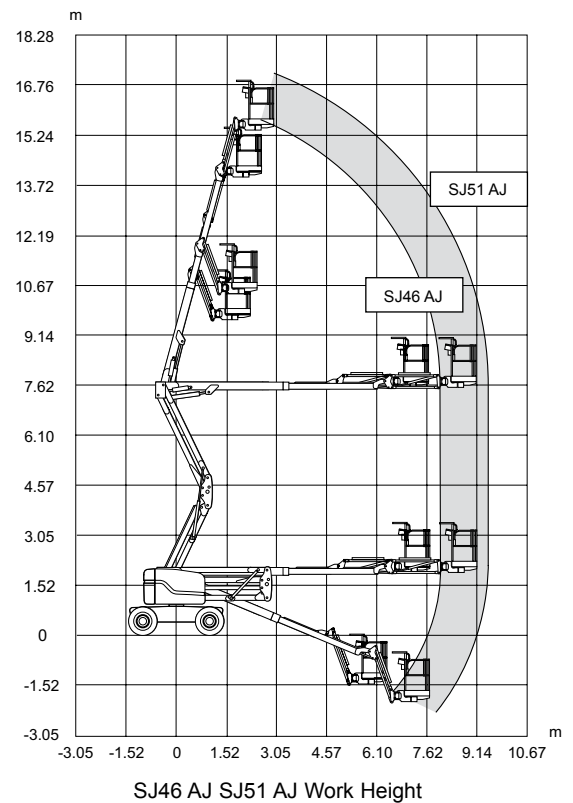
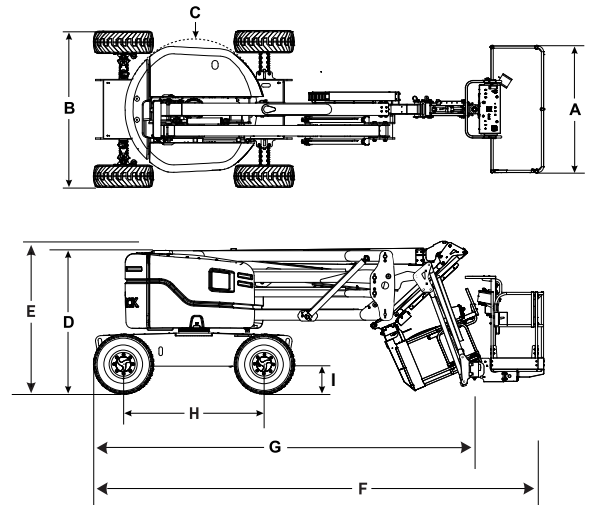
- Glazier kit
- Pipe rack
- Tool caddy
- Deutz D2011L03i diesel engine (export only)
- Platform work lights
- Flashing light
- All motion alarm
- 0.76 x 1.52 m platform
- Side gate
- Auxiliary top rail (0.76 x 1.83 m platform only)
- 3.5 kW Generator (Includes hydraulic oil cooler)
- Diesel scrubber
- Hydraulic oil cooler
- Bio oil
- 1/2" Airline to platform
- Control box cover
- 315/55D20 Grip lug foam-filled non marking tyres
- ELEVATE telematics

† Standard lead times may be increased when optional equipment is added, consult factory.

‡ Capacities, and machine weights may differ when options are added.

SJ46/51 AJ ARTICULATING BOOMS

Dimensions	SJ46 AJ	SJ51 AJ
Work Height	16.10 m	17.55 m
Platform Height	14.10 m	15.55 m
Horizontal Reach	7.54 m	9.03 m
Working Reach	8.19 m	9.68 m
Up and Over Height	7.45 m	7.45 m
A Platform Size	1.83 x 0.76 m	1.83 x 0.76 m
B Stowed Width	2.29 m	2.29 m
C Tailswing	Zero	Zero
D Stowed Height	2.06 m	2.06 m
E Transportation Height	2.16 m	2.27 m
F Stowed Length	6.35 m	7.10 m
G Transportation Length	5.97 m	6.72 m
H Wheelbase	2.03 m	2.03 m
I Ground Clearance	0.40 m	0.40 m
Specifications	SJ46 AJ	SJ51 AJ
Rotation	355° NC	355° NC
Platform Rotation	170°	170°
Jib Length	1.52 m	1.52 m
Jib Range +/-	+70° / -75°	+70° / -75°
Weight	6500 kg	7300 kg
Gradeability	45%	45%
Turning Radius (Inside)	2.48 m	2.48 m
Turning Radius (Outside)	5.15 m	5.15 m
Axle Oscillation	0.20 m	0.20 m
Drive Speed (High speed)	4 km/h	4 km/h
Capacity	227 kg	227 kg
Local Floor Load (With Rated Load)	856 kPa	917 kPa
Overall Floor Load (With Rated Load)	10.1 kPa	11.4 kPa
Maximum # of Persons	2	2
Tyre Type	Grip lug foam-filled	Grip lug foam-filled
Tyre Size	12 x 16.5	12 x 16.5
Diesel Engine	18.5kw (24.8hp)	18.5kw (24.8hp)
Fuel Tank Capacity	64 L	64 L
Hydraulic Reservoir	91 L	91 L



Skyjack UK
 Unit 1, Maes-y-Clawdd
 Maesbury Road Industrial Estate
 Oswestry, Shropshire, SY10 8NN
 Tel: +44 1691 676235
 Fax: +44 1691 676239
 Email: info@skyjackeurope.co.uk

Skyjack SAS (France)
 74 Rue Sibert
 F-42400 Saint Chamond
 France
 Tel: +33 (0) 4 78 73 53 32
 Tel: +33 (0) 4 78 73 05 68
 Fax: +33 (0) 4 78 56 52 42

Skyjack Hebebühnen GmbH (Germany)
 Därmannsbusch 2a
 D-58456 Witten
 Tel: +49 (0) 2302 20 26 909
 Fax: +49 (0) 2302 20 25 671

Skyjack AB (Sweden)
 Agnesbergsvägen 28
 424 38 Agnesberg
 Sweden
 Tel: +46 (0) 31 21 22 45
 Fax: +46 (0) 31 787 65 10

www.skyjack.com