

NASH

PLANT GROUP

Sales & Hire

1 3 0 0 6 2 7 4 7 4

SJ4726/32

ELECTRIC SCISSORS



STANDARD FEATURES

- Drivable at full height
- Variable speed, rear wheel hydraulic drive
- Dual holding brakes
- SKYCODED™ Colour coded and numbered wiring system
- On-board visual interface with diagnostic capabilities
- Shroud style, impact resistant composite control box with extended cable
- Proportional controls for drive & lift functions
- Tilt sensor (3.5° x 1.5°)
- 1.22 m Roll out extension deck
- 24V DC Power source
- Low voltage battery protection
- 25% Gradeability
- Solid rubber, non-marking tyres
- Pothole protection system
- Wiring for AC outlet at platform
- Tilt alarm with drive & lift cut-out
- All motion audible alarm
- Lanyard attachment points
- Operator horn
- Forklift pockets and tie down/lift lugs
- Overload sensing system
- Fold down hinged railing system
- Half height spring hinged entry gate
- Telematics ready
- White noise alarm
- Flashing light

OPTIONS

- Light duty pipe rack
- Heavy duty pipe rack
- Board carrier
- Tool caddy
- Dual flashing lights
- AGM Batteries
- Lockable swingout trays
- Full height spring hinged entry gate
- Bio oil
- Secondary Guarding Lift Enable (SGLE)
- ECOTRAY leak containment system
- ELEVATE telematics
- ELEVATE Battery Management System (BMS)*

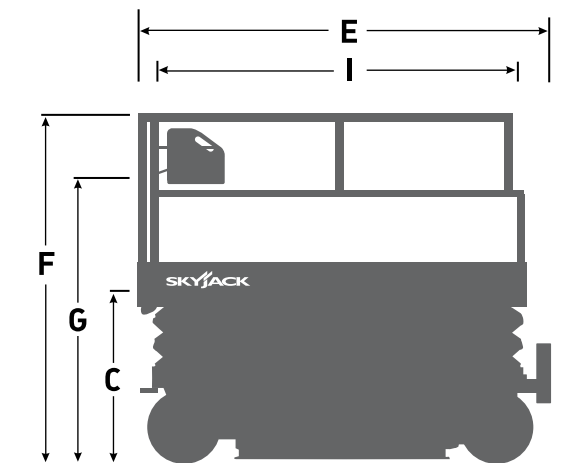
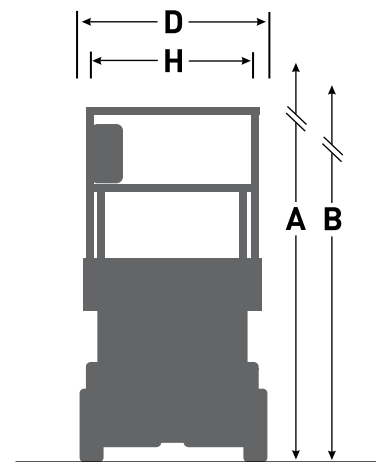
† Standard lead times may be increased when optional equipment is added, consult factory.

‡ Capacities and machine weights may differ when options are added.

* Only available with ELEVATE telematics

SJ4726/32 ELECTRIC SCISSOR LIFT

Dimensions	SJ4726	SJ4732
A Work Height	9.82 m	11.65 m
B Raised Platform Height	7.82 m	9.65 m
C Lowered Platform Height	1.17 m	1.27 m
D Overall Width	1.19 m	1.19 m
E Overall Length	2.32 m	2.32 m
F Stowed Height (Rails Up)	2.29 m	2.39 m
G Stowed Height (Rails Down)	1.90 m	1.99 m
H Platform Width (Inside Dimension)	1.07 m	1.07 m
I Platform Length (Inside Dimension)	2.11 m	2.11 m
Specifications	SJ4726	SJ4732
Extension Deck (Roll Out)	1.22 m	1.22 m
Ground Clearance (Pothole Raised)	10.2 cm	10.2 cm
Ground Clearance (Pothole Deployed)	1.8 cm	1.8 cm
Wheelbase	1.75 m	1.75 m
Weight	2,135 kg	2,492 kg
Gradeability	25%	25%
Turning Radius (Inside)	0.71 m	0.71 m
Turning Radius (Outside)	2.64 m	2.64 m
Lift Time (With Rated Load)	52 sec	50 sec
Lower time (With Rated Load)	32 sec	30 sec
Drive Speed (Stowed)	2.9 km/h	2.9 km/h
Drive Speed (Raised)	1.0 km/h	1.0 km/h
Maximum Drive Height	Full Height	Full Height
Capacity (Overall)	454 kg	318 kg
Distributed Capacity (Main Platform)	318 kg	204 kg
Distributed Capacity (Extension Deck)	136 kg	113 kg
Local Floor Load (With Rated Load)	856 kN/m ²	856 kN/m ²
Overall Floor Load (With Rated Load)	998 kg/m ²	1,083 kg/m ²
Maximum # of persons at 0 m/s wind rating	3	2
Maximum # of persons up to 12.5 m/s wind rating	1	1
Tyre Type	Solid, N/M	Solid, N/M
Tyre Size	16 x 5 x 12	16 x 5 x 12



Skyjack Australia Pty Ltd
 Unit 1, 35 Honeycomb Drive
 Eastern Creek
 NSW 2766
 Australia
 Phone +61 (0) 2 9854 0700
 Fax +61 (0) 2 9854 0777
 Email: jcranmer@skyjack.com

www.skyjack.com

