



XG0807HDW

MOBILE ELEVATING WORK PLATFORM

Comply with AS/NZS/ANSI/CE

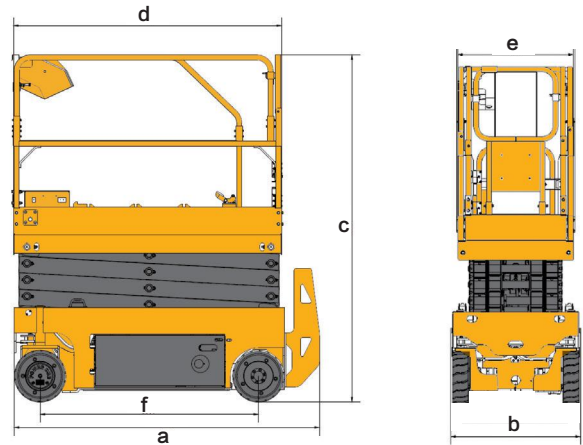


XG0807HDW

MOBILE ELEVATING WORK PLATFORM

Main Features

- Wider frame, outdoor models, specially designed for building constructions
- Compact size, narrow width for ease of access, fits through narrow aisles and doorways
- Proportional drive gives smooth control
- Zero emission and non-marking tires ensure environment-friendly operation
- Zero turning radius enables better manoeuvrability



Product Parameters

Item	Unit	XG0807HDW
Max. Working height	m	7.8
Max. Platform height	m	5.8
Load capacity	kg	230
Load capacity of extended platform	kg	115
Max. Occupant Capacity		2
Min. ground clearance (pit protector rising/descending)	mm	70/20
Min. Turning radius (inner/outer wheel)	m	0/1.75
Lifting motor	kW	3.3
Lifting/Descending duration of platform	s	13-30/25-35
Max. Traveling speed at low level	km/h	3.9
Max. Traveling speed at high level	km/h	0.8
Max. gradeability	%	25
Max. Inclination (side/forward and backward)	°	1.5/3
Battery	v/Ah	4×6/280
Charger	v/A	24/30
Tire specification	—	323×100
Total machine weight	kg	1580
a Overall length(no ladder)	mm	1900(1680)
b Overall width	mm	810
c Overall height (platform folded)	mm	2160(1830)
d×e Working platform dimension (Length×Width)	mm	1670×740
Length of extension platform	mm	900
f Wheelbase	mm	1360

NASH

PLANT GROUP

Sales & Hire

1 3 0 0 6 2 7 4 7 4